

DRG.NO. X0791952

DO NOT SCALE

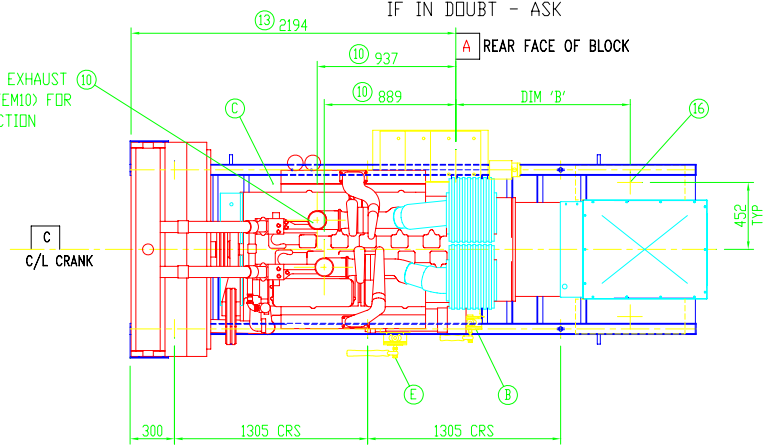
IF IN DOUBT - ASK

DIMENSIONS IN MM

ITEM	QTY	DESCRIPTION
1	1	ENGINE-CUMMINS VTA28G5
2	1	ALTERNATOR-NEWAGE HC5C/D/E/F
3	1	CONTROL PANEL
4	1	BEDFRAME
5	2	AIR CLEANERS
6	1	CONTROL HOUSING
7	1	STARTER MOTOR-FAR SIDE
8	1	LUB. OIL FILLER - FAR SIDE
9	1	OIL LEVEL DIPSTICK - FAR SIDE
10	2	EXHAUST OUTLETS - 127 O/D. (5")
11	1	FUEL FEED FLEX TERM-3/4" BSP
12	1	SPILL RETURN FLEX TERM-3/4" BSP
13	1	RADIATOR 40°C SHOWN
14	6	FOUNDATION FIXING HOLES 22 DIA
15	8	RESILIENT MOUNTINGS
16	1	LOAD CONNECTION GLAND PLATE
17	2	FUEL FILTERS
18	3	OIL FILTERS
19	1	SUMP DRAIN
20	10	FOUNDATION FIXING HOLES 22 DIA
21	6	RADIATOR DUCT FIXING HOLES

AVAILABLE OPTIONS	
ITEM	DESCRIPTION
A	CIRCUIT BREAKER / ENTRANCE BOX
B	FUEL TRANSFER HAND PUMP
C	ENGINE COOLANT HEATER
D	FUEL/WATER SEPARATOR
E	SUMP DRAIN PUMP
F	LEAD ACID BATTERIES
G	BASE FUEL TANK-1150 LITRES (DIMS IN BRKTS)
H	FLOAT SWITCH
I	HEAVY DUTY AIR CLEANER (NOT SHOWN)
J	HEATER CONTROL BOX & SWITCH
K	50°C RADIATOR (NOT SHOWN)

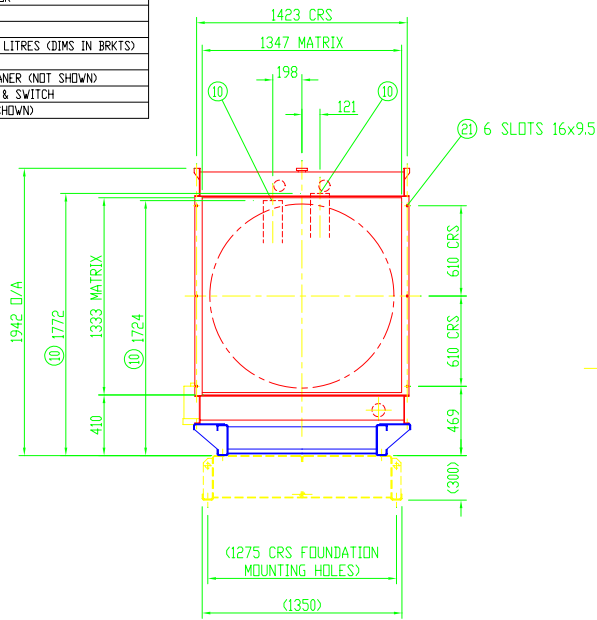
NOTE: 127 O/D. (5") EXHAUST OUTLET ELBOWS (ITEM10) FOR CLAMP TYPE CONNECTION



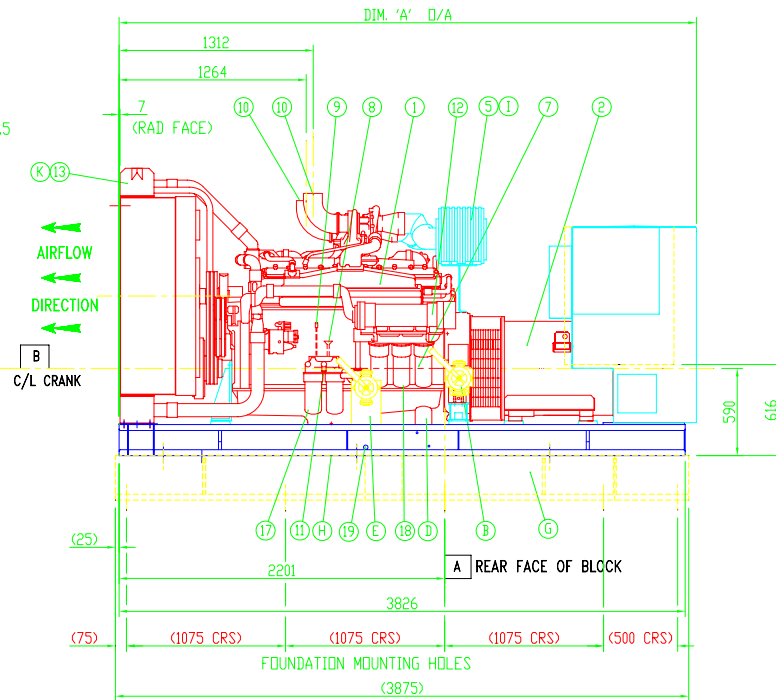
PLAN VIEW WITH OPTIONAL BASE TANK OMITTED.

NOTES:

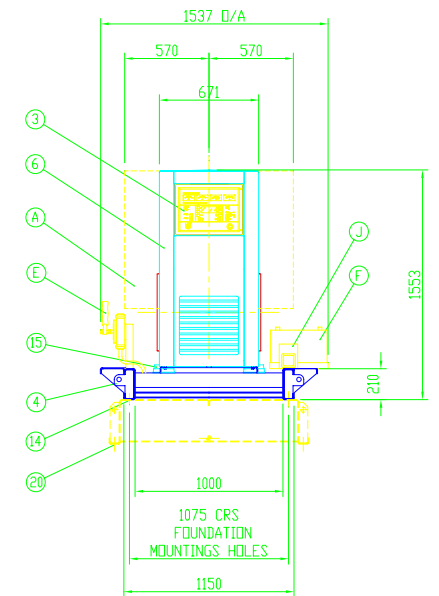
- ENTRANCE OR CIRCUIT BREAKER BOX OPTION WILL BE MOUNTED ON THE RIGHT SIDE VIEWED FROM THE CONTROL END UNLESS OTHERWISE STATED.
- CUSTOMER LOAD CABLES TO BE FLEXIBLE TO ALLOW FOR MOVEMENT OF GENSET ON A.V. MOUNTS.
- FOR OPTIONS NOT SHOWN SEE ASSOCIATED OPTION DETAILS.
- ALL WEIGHTS SHOWN ARE THE MAXIMUM WEIGHTS FOR EACH ENGINE/ALTERNATOR COMBINATION + ALL STANDARD OPTIONS.



RADIATOR END VIEW WITH OPTIONAL BASE TANK SHOWN.



SIDE VIEW WITH OPTIONAL BASE TANK SHOWN.



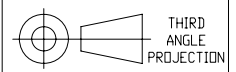
CONTROL END VIEW WITH OPTIONAL BASE TANK SHOWN.

		WT WITH DRY ENGINE Kg		WT WITH WET ENGINE Kg					
ENGINE	ALTERNATOR	OPEN BED	DRY BASE TANK	OPEN BED	DRY BASE TANK	WET BASE TANK	DIM 'A'	DIM 'B'	
VTA28G5	HC5C	4981	5566	5250	5835	6813	3825	1105	
VTA28G5	HC5D	5101	5686	5370	5955	6933	3825	1105	
VTA28G5	HC5E	5241	5826	5510	6095	7073	3825	1105	
VTA28G5	HC5F	5396	5981	5665	6250	7228	3900	1180	

THE COPYRIGHT IN THIS DRAWING IS OWNED BY C.P.G. LTD. AND IT MAY NOT BE PUBLISHED OR REPRODUCED IN ANY MATERIAL FORM WITHOUT THE WRITTEN CONSENT OF THE COMPANY

TOLERANCES  
  
UNLESS OTHERWISE STATED

DRN.	RRB			VTA28G5 - HC5C/D/E/F		MATERIAL		FINISH	
CHKD.	3.1	25/06/99	DM3306	TITLE		GA. OF GENERATING SET.		DRG.NO.	
REV.	DATE	MOD.NO.						X0791952	



THIRD ANGLE PROJECTION